



BESPOKE

STAIRLIFTS LTD.



MAKE YOUR HOME YOUR OWN

Needing help to climb your stairs shouldn't be a concern, Bespoke Stairlifts products are helping those who want to live their life like they always have.

Enjoying the freedom of their own home whatever life throws at them.

WHICH TYPE OF STAIRLIFT DO YOU REQUIRE?

Below shows two typical staircase types to help you determine which stairlift would be suitable for you and your home.

STRAIGHT



A typical straight staircase leads up to the next floor without any middle landings.

THE SYNERGY STRAIGHT Page 04



CURVED



A curved staircase has a straight set of steps leading to a landing and then additional steps leading onto the next floor.

THE INFINITY CURVED Page 10



—MADE IN—
**GREAT
BRITAIN**



“ *Bespoke Stairlifts have made my life so much easier, I can now keep active in my own home again.* ”

Brenda Jones Wiltshire

THE SYNERGY

The **Bespoke straight stairlift** simple in its operation yet detailed in design



SYNERGY

The Synergy's compact design has a host of hidden features allowing you to reclaim your independence at home.

Straight staircases shouldn't stop you enjoying your home.

The Synergy is a simple to use stairlift that can transform your day-to-day life.

ROOM FOR OTHER USERS

The Synergy leaves as much space as possible on the stairs for other users.

The chair and footrest folds neatly against the wall allowing other stair users easy access.

—MADE IN—
**GREAT
BRITAIN**



ONE OF THE WORLD'S SLIMMEST STAIRLIFTS

The Synergy uses one of the slimmest rails in the world, making the Synergy look less obtrusive with minimum impact to your home.



COMPLETE COMFORT & CONTROL

The Bespoke Synergy straight stairlift includes many features as standard, enhancing the practicality and usability for the user and household to live with.



REMOTE CONTROL

Ergonomically designed and easy to use, remote controls are supplied with the Bespoke Synergy as standard, giving the user total control of the stairlift.

COMPLETE CONTROL

Controlling the Synergy stairlift is comfortable for all users even for those with reduced dexterity.

The ergonomically designed toggle switch is available for left and right-handed people.



SAFE & SECURE

The simple and fully adjustable seat belt option means that you will be safely held on the seat when the stairlift is in operation, giving you added peace of mind and security.

EASY ON EASY OFF

With a gentle turn of the handle, the seat turns allowing you to get on and off the Synergy with ease and confidence.





CLEAN, CLEAR & PRECISE

Compared to other stairlift manufacturers, Bespoke includes so many simple and innovative solutions as standard, giving extra value for the customer.

PADDED SEAT

The padded seat and backrest are made from high quality machine-stitched vinyl giving the user added comfort.



REMOVABLE COVERS

The vinyl padded seat is durable ensuring minimal scuffs and marks occur.

Easy to wipe down or easily zipped-off for a deeper clean.



EASY TO UNDERSTAND

With the digital diagnostic display as standard, you can easily understand the Synergy stairlift and its status with the clear, backlit text.

This means you don't need to decipher complicated digital codes, bleeps or flashing lights.

SAFETY SENSORS

The Synergy includes safety sensors and pressure plates on the footrest and carriage that will stop the stairlift if there's an obstacle on the staircase.



THE INFINITY

For fully independent living choose the
Infinity curved stairlift



Your staircase should never be your biggest obstacle.

Negotiating the stairs shouldn't stop you from doing the things you want to do.

By choosing the Infinity curved stairlift, you can continue enjoying your home without worry.

MISSION ACCOMPLISHED

When Bespoke Stairlifts was formed in 2004, our mission and vision was to create a cost-effective and reliable solution for customers to access their staircases and to remain independent in their own homes.



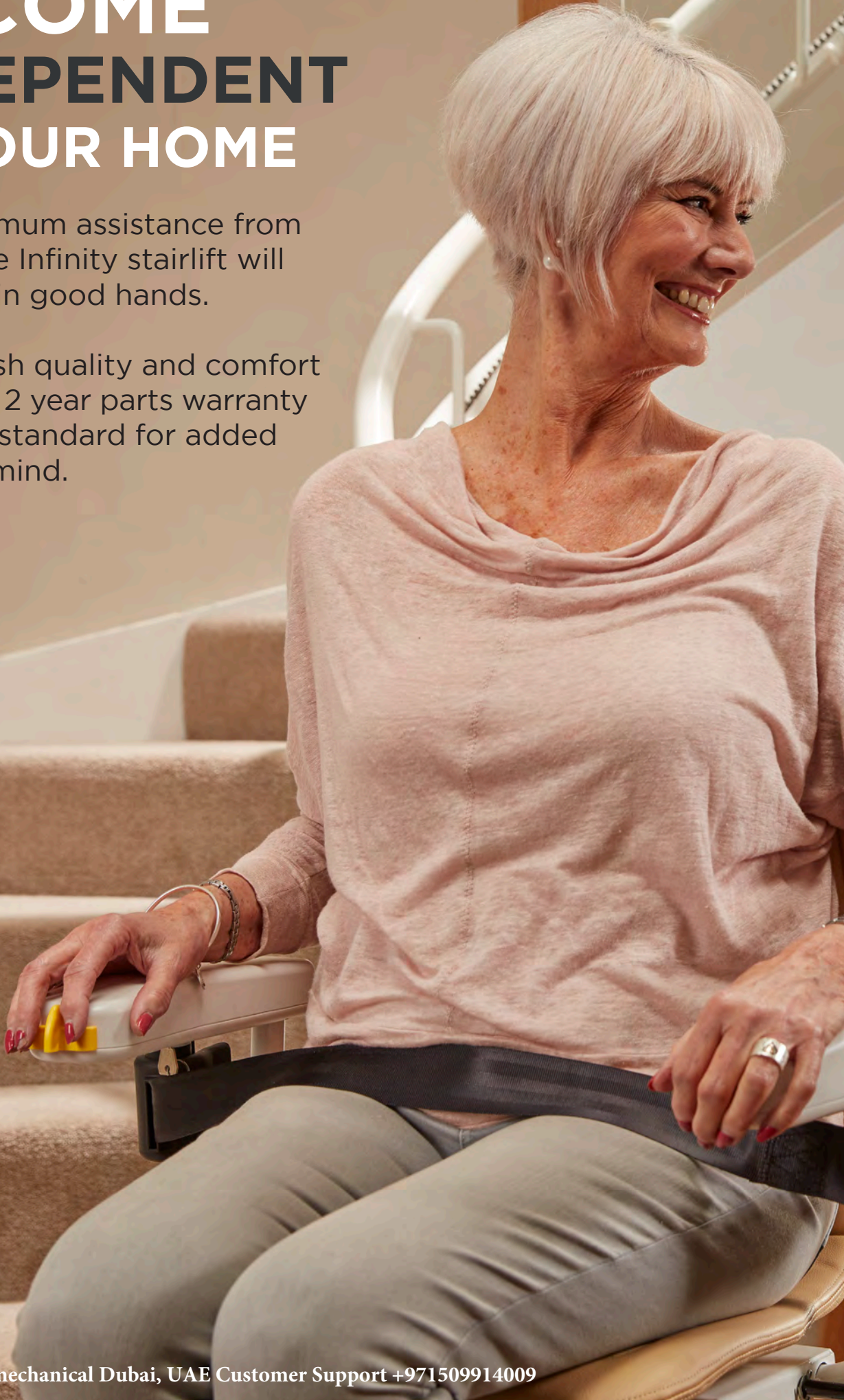
TAKE BACK CONTROL OF YOUR HOME



BECOME INDEPENDENT IN YOUR HOME

With minimum assistance from others, the Infinity stairlift will keep you in good hands.

With British quality and comfort assured, a 2 year parts warranty comes as standard for added peace of mind.



— MADE IN —
**GREAT
BRITAIN**



COMFORTABLE **ACCESS** FOR OTHERS

The slimline twin-tube rail leaves plenty of room on the staircase for others to use.



THE PERFECT FIT FOR ANY HOME

Every part of the Infinity curved stairlift has been designed with you in mind.

LOVING, LIVING LIFE IN COMFORT

The stitched vinyl chair, compact yet comfortable, has been designed to fit stylishly within your home and be part of the furniture and not the elephant in the room.



With easy to remove seat covers for a better clean, ensures the Infinity will always look its best.

Natural
Colour shown



UNSURE ON THE COLOUR?

Bespoke is one of the only stairlift manufacturers to offer alternative colours that may be more suitable for your home and it's surroundings once installed.

See page 21 for available options

ALTAAN Electromechanical Dubai, UAE Customer Support +971509914009

EASY TO UNDERSTAND DISPLAY



The LCD display is easy to understand allowing the user to see the status of the Infinity.

PARKING THE INFINITY COULDN'T BE EASIER

The seat and footrest are easily folded up giving you more space when the Infinity isn't being used.

With a powered swivel option available, this makes the Infinity stairlift even more practical and convenient to have in your home.

See page 21 for available options



ALTAAN Electromechanical Dubai, UAE Customer Support +971509914009

SYNERGY

STRAIGHT STAIRLIFT



ONE OF THE SLIMMEST RAILS IN THE WORLD

The straight rail is made of aluminium giving the stairlift the best ride possible and without obtruding the staircase.

The legs fit to the stair treads and not the wall preventing any unsightly cracks or damage.



1 ERGONOMIC CONTROLS

Simple, smooth operation glides you up and down the stairs smoothly.



2 SWIVEL SEAT

A gentle turn of the seat handle allows the user to swivel the seat to get off onto the landing when it's safe.



3 POWER SWITCH

An easy flick of the switch allows the stairlift to be powered on or off.



4 CLEVER DISPLAY

Simple, clean and clear digital display for easily understanding the status of the stairlift.

SPECIFICATIONS

Power Supply

Input 120v - 240v

Output 1.2Ah

Battery 2x 12v

Rail Drive Rack and Pinion

Max seat rotation 80°

Max user weight 125kg (19.5st)

FEATURES & BENEFITS



5 REMOVABLE COVERS

The premium quality vinyl seat covers are removable for a deeper clean and better hygiene.



6 HANDY OPTION

Left and right handed control options available assisting in usability for those with dexterity issues.



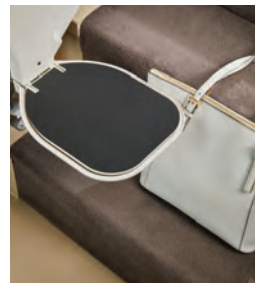
7 FOLD AWAY

Lifting the arms and seat and using the lever to lift the footrest, not only folds it close to the wall but prevents discomfort in bending down.

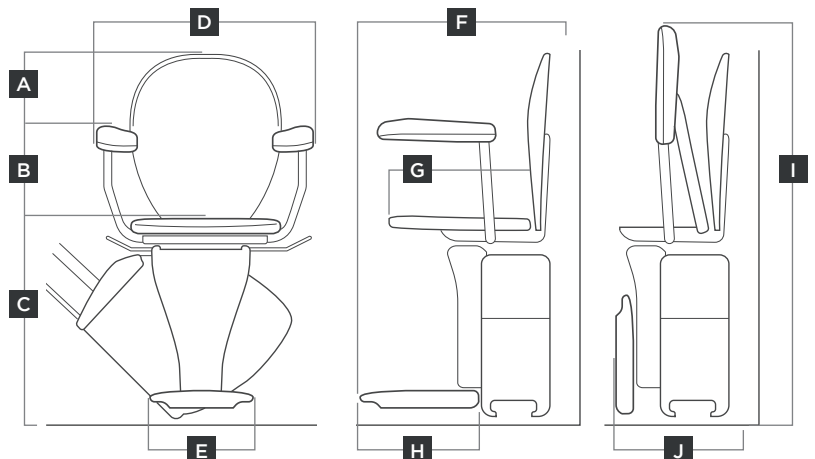


8 SAFETY SENSORS

Stops the Synergy from moving if an obstacle is in its way.



	mm	inch
A Overall Height (from floor)	970	38
B Height of arms (from floor)	750	30
C Height of seat (from floor)	530	21
D Overall width	575	23
E Width of footrest	252	10
F Overall depth (from wall)	565	22
G Depth of seat (to backrest)	380	15
H Depth of footrest	315	12
I Overall Height (when folded)	980	39
J Overall depth (when folded)	295	12



INFINITY

CURVED STAIRLIFT



A RAIL DESIGNED AROUND YOU & YOUR HOME

The Infinity rail is specifically designed inhouse by Bespoke to fit your staircase, no matter how awkward.

The durable powder coated rail gives stability and ensures a smooth ride around each corner giving the best ride possible.



1 HYGENIC SEAT COVERS

Removable covers for a deeper clean and to help keep the stairlift looking great.



2 SIMPLE TO CONTROL

The ergonomically designed control switch gives the user complete comfort for users with dexterity issues.

3

EASY SWIVEL LEVER CONTROLS

Tilting the lever rotates the seat making it easy and safe to get on, and off, the landing.



4

STOP MOTION

The Infinity will come to a standstill if the sensors on the footrest discover an obstacle on the stairs.

SPECIFICATIONS

Power Supply

Input 120v - 240v

Output 1.2Ah

Battery 2x 12v

Rail Drive Rack and Pinion

Max. seat rotation 80°

Max. user weight 125kg (19.5st)

FEATURES & BENEFITS



5
SLIM & STYLISH
 Without compromising comfort, the Infinity is one of the slimmest stairlift seats, folding closer to the wall.



6
FOLDING ARMS & FOOTREST
 Easy to fold away giving room to other staircase users.

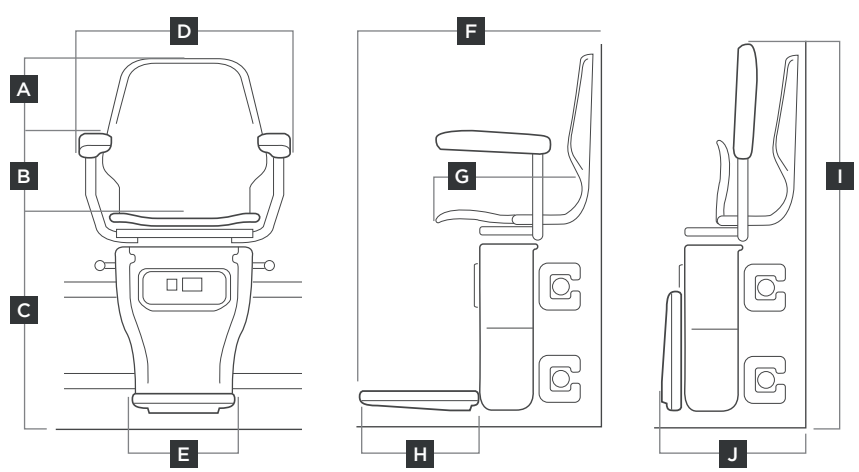
7
SEAT BELT
 The retractable seat belt ensures the user can feel safe and secure when operating the Infinity.



8
FOOTREST LEVER
 The lever puts the footrest down with minimal bending and discomfort to the user.



	mm	inch
A Overall Height (from floor)	1058	42
B Height of arms (from floor)	837	33
C Height of seat (from floor)	594	23
D Overall width	607	24
E Width of footrest	300	12
F Overall depth (from wall)	620	25
G Depth of seat (to backrest)	385	15
H Depth of footrest	270	11
I Overall Height (when folded)	1078	43
J Overall depth (when folded)	407	16





BESPOKE STANDARDS

The Synergy and Infinity stairlifts include the following as standard.

HEALTH & HYGIENE

Bespoke stairlifts are easy to clean, not only assisting in the health of the stairlift but also the health of the user.



Bespoke are one of the very few stairlift manufacturers to include removable covers on their stairlifts.



QUALITY MATERIALS & COMPONENTS

With a robust case, performance seat and solid mechanics, our stairlifts will look their best and operate for many years to come.



RETRACTABLE SEAT BELT

Just like a car seat belt, easy to adjust and use, giving the user the best comfort and safety possible whilst operating the stairlift.



COMFORT & CONTROL

The soft start/stop of a Bespoke Stairlifts journey on a staircase is enhanced by the complete comfort of the padded seat and backrest and simple, ergonomic controls.

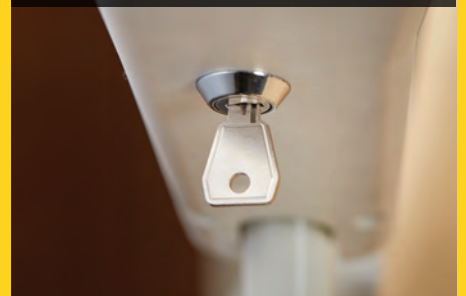


2 YEAR PARTS WARRANTY

Included as standard
Ask your dealer for further information.

LOCKING KEYS

Two keys are included for locking the stairlift in an off position for added safety, preventing unwanted operation by children, young and old.



REMOTE CONTROLLED

Two remote controls are supplied giving simple and convenient operation allowing the stairlift to be called or sent up the staircase when it's not being used.

BESPOKE OPTIONS

The following options are available to make your life even easier with your stairlift in your home. *Contact Bespoke or ask your dealer for further details.*

POWERED SWIVEL

Making life easier for the user to turn the seat easily with the touch of a button. Ideal for users with dexterity issues.



HINGED RAIL

In some instances, the rail may run across a doorway at the bottom of a staircase. A hinged rail folds up out of the way.



OUTDOOR STAIRLIFT

Giving the user added freedom and access to the outside space of their home, freedom to enjoy the garden or gain access to the driveway.



SEAT COLOUR

Perfect for blending the stairlift in with the decor of your home.



Natural

Blue

Brown

Red

Grey

Colours may vary from images shown



BESPOKE
STAIRLIFTS LTD.



MADE IN GREAT BRITAIN MADE FOR YOU

Since 2004 when Bespoke started, we have gained plenty of knowledge and experience over the years in providing an outstanding stairlift product and service that is ever-evolving.

BASED IN HUDDERSFIELD, UK PROVIDING STAIRLIFTS TO CUSTOMERS WORLDWIDE

No place is too far for Bespoke to ship to. We find the best delivery options available via sea or air and try to keep costs down.

With a dedicated Export sales team in the UK, Bespoke can continue the assistance and quality care with customers and dealers in their native language.

Our stairlifts are installed worldwide thanks to our dispatching options, opening doors for Bespoke Partners to install stairlifts across Europe, Asia, South America, Mexico, and Australia to name a few.





THE BESPOKE TEAM

A MAJOR PART OF OUR SUCCESS STORY

With a dedicated team, a network of approved installers and qualified engineers in the UK and worldwide, we are ready to transform your customers' lives.

Over the years we have invested heavily in our staff, particularly in our fabrication department.

Our fabrication team not only builds our rails to the standards our customers expect but they are also at the forefront of every development we introduce.

We see it that those who work on our products day to day can offer the best insight into how we improve our products and that knowledge is passed on to our customers and in turn yours.





BESPOKE
STAIRLIFTS LTD.



—MADE IN—
**GREAT
BRITAIN**

WHY CHOOSE BESPOKE?

Follow
Bespoke Stairlifts



- Straight and Curved Options
- One of the slimmest rails
- Smooth start/stop motion
- Easy to operate for dexterity
- Left and right-hand options
- Swivel seat
- Easy on and off operation
- Fold away design
- Attractive and slim
- Many safety features
- Key lock for safety
- Remote control function
- Easy to clean and maintain
- Removable seat covers
- Alternative colours available
- British manufactured
- Dedicated team
- Outdoor option available
- Power options available
- Rechargeable power

2 YEAR PARTS WARRANTY Included as standard
Ask your dealer for further information.

To find out more, visit our website or contact your local Bespoke Stairlifts dealer

Dealer details



ALTAAN
UAE

P.O. BOX 378405, Dubai, UAE.
web: www.altaanco.com
Email: info@altaanco.com
Phone: +97142682399
Customer Support: +971.509914009

“ From the surveyor to the man coming to install, we cannot praise Bespoke Stairlifts enough.
A great product and a very professional job all round. ”

Mrs Trasler Nottinghamshire

www.bespokestairlifts.com

sales@bespokestairlifts.co.uk +44 (0) 1484 516 777

Bespoke Stairlifts Limited • Unit 9 Fieldhouse Industrial Estate • Old Fieldhouse Lane
Huddersfield • West Yorkshire • England • HD2 1FA